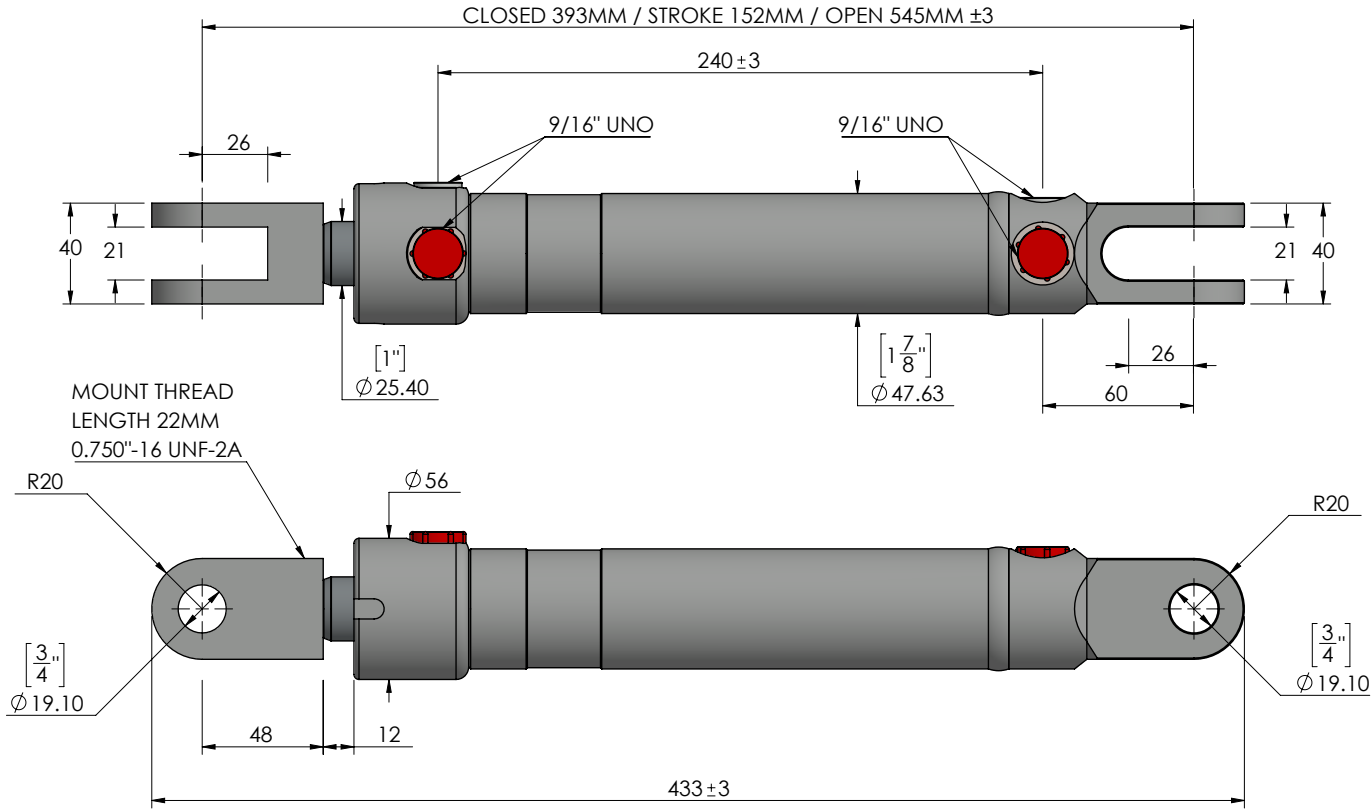


THIS DOCUMENT CONTAINS PROPRIETARY INFORMATION AND IS SUBMITTED IN CONFIDENCE. THIS DOCUMENT IS SUBJECT TO RETURN UPON REQUEST. THE INFORMATION CONTAINED HEREIN IS NOT BE USED IN ANY WAY DERIMENTAL TO THE INTERESTS OF HYPower.

NOTE: PIN HOLE CLEARANCE MACHINED TO SUIT ANSI B4.2 D9/h9
 PORT THREADS MACHINED TO ISO11926-1 OTHER THREADS MACHINED TO CLASS 2A/B
 GENERAL DIMENSIONS SUIT ISO2768-mK UNLESS OTHERWISE STATED
 GENERAL SURFACE MACHINING TO ISO1302
 FORCE CALCULATIONS ARE THEORETICAL MAXIMUM. ALLOW UP TO 20% FOR LOSSES

OPERATING CONDITIONS	
MAX PRESSURE	210 BAR
PUSH FORCE @ 210 BAR	2441kgf
PULL FORCE @ 210 BAR	1330kgf
FLUID	HYDRAULIC OIL VG46

CYLINDER FACTOR OF SAFETY AT 210 BAR		
STRESS AREA	SAFETY FACTOR	COMMENT
PISTON PULL OFF	5.6	
ROD MOUNT PULL OFF	3.5	
ROD BUCKLE	5.9	AT MAX EXTENSION
BASE MOUNT	3.1	
ROD MOUNT	3.5	
BARREL	6.2	HOOP STRESS
PINS	4.5	



HPAG 15

CYLINDER SPECIFICATIONS			
CLOSED	393MM	PORTS	9/16" UNO
STROKE	152MM	BARREL	1.5" ID 3/16" TUBE WALL
OPEN	545MM	HEAD CLEVIS	FC0015501001
STAND OUT	12MM	ROD CLEVIS	R10135
ROD	1.00 - K1045	WEIGHT	4.3Kg
BORE	1.5"	PAINTING	REFER TO QUOTE

CLIENT SIGNATURE			
APPROVAL DATE			
B		SHEET SIZE	A4
A		SCALE	1:3
0	8/10/2020	DW	
REV	DATE	DRAWN CHECKED	REMARK

DESCRIPTION	
HPAG 1.5" BORE X 6" (152MM) X 1.00" ROD - DUAL PORTS	
PART NO.	DWG NO.
HPAG15060D100A	HPAG15060D100ADIM

