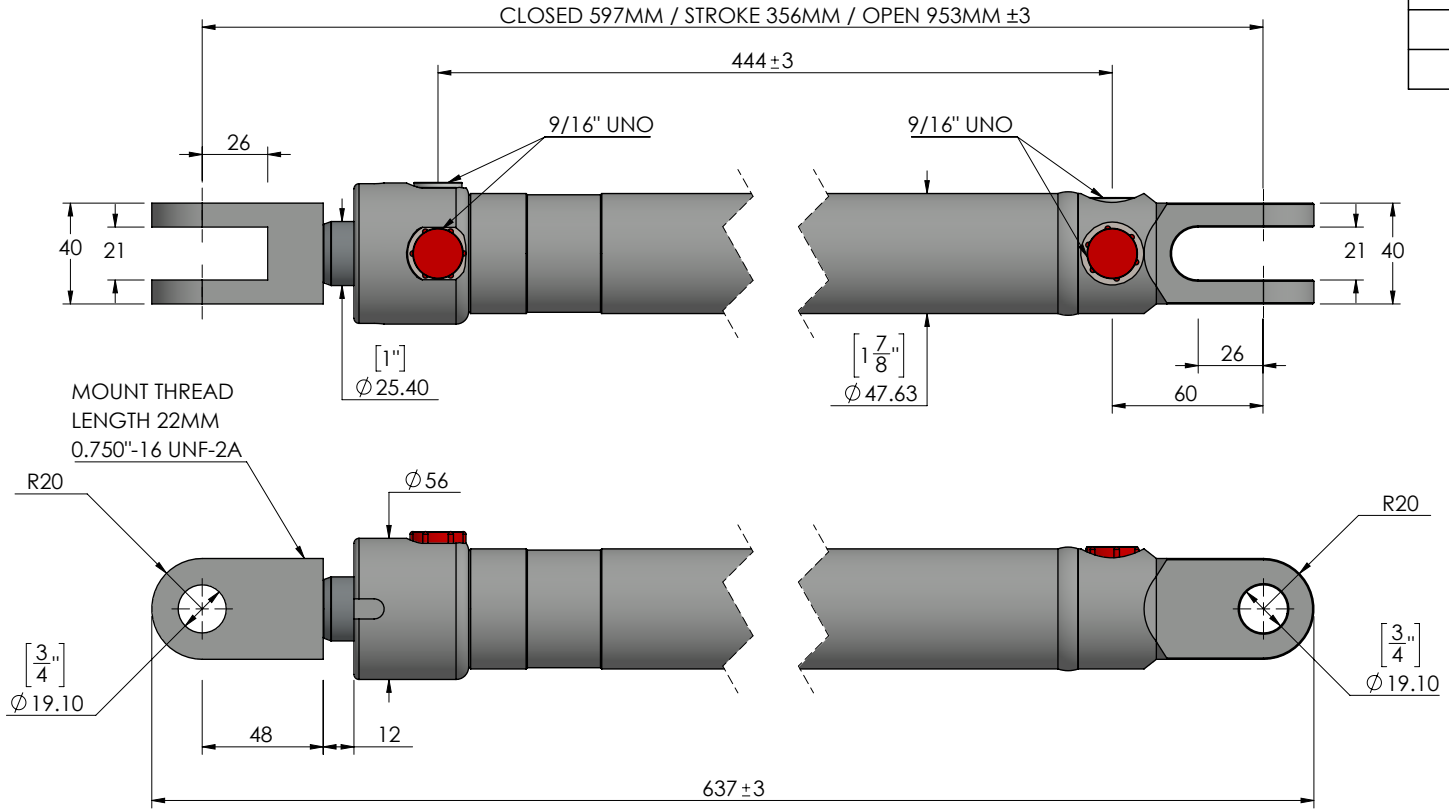


THIS DOCUMENT CONTAINS PROPRIETARY INFORMATION AND IS SUBMITTED IN CONFIDENCE. THIS DOCUMENT IS SUBJECT TO RETURN UPON REQUEST. THE INFORMATION CONTAINED HEREIN IS NOT BE USED IN ANY WAY DERIMENTAL TO THE INTERESTS OF HYPower.

NOTE: PIN HOLE CLEARANCE MACHINED TO SUIT ANSI B4.2 D9/h9  
 PORT THREADS MACHINED TO ISO11926-1 OTHER THREADS MACHINED TO CLASS 2A/B  
 GENERAL DIMENSIONS SUIT ISO2768-mK UNLESS OTHERWISE STATED  
 GENERAL SURFACE MACHINING TO ISO1302  
 FORCE CALCULATIONS ARE THEORETICAL MAXIMUM. ALLOW UP TO 20% FOR LOSSES

| OPERATING CONDITIONS |                    |
|----------------------|--------------------|
| MAX PRESSURE         | 210 BAR            |
| PUSH FORCE @ 210 BAR | 2441kgf            |
| PULL FORCE @ 210 BAR | 1330kgf            |
| FLUID                | HYDRAULIC OIL VG46 |

| CYLINDER FACTOR OF SAFETY AT 210 BAR |               |                  |
|--------------------------------------|---------------|------------------|
| STRESS AREA                          | SAFETY FACTOR | COMMENT          |
| PISTON PULL OFF                      | 5.6           |                  |
| ROD MOUNT PULL OFF                   | 3.5           |                  |
| ROD BUCKLE                           | WARNING       | AT MAX EXTENSION |
| BASE MOUNT                           | 3.1           |                  |
| ROD MOUNT                            | 3.5           |                  |
| BARREL                               | 6.2           | HOOP STRESS      |
| PINS                                 | 4.5           |                  |



**CYLINDER SPECIFICATIONS**

|           |              |             |                         |
|-----------|--------------|-------------|-------------------------|
| CLOSED    | 597MM        | PORTS       | 9/16" UNO               |
| STROKE    | 356MM        | BARREL      | 1.5" ID 3/16" TUBE WALL |
| OPEN      | 953MM        | HEAD CLEVIS | FC0015501001            |
| STAND OUT | 12MM         | ROD CLEVIS  | R10135                  |
| ROD       | 1.00 - K1045 | WEIGHT      | 6.1Kg                   |
| BORE      | 1.5"         | PAINTING    | REFER TO QUOTE          |

|                  |           |               |        |
|------------------|-----------|---------------|--------|
| CLIENT SIGNATURE |           |               |        |
| APPROVAL DATE    |           |               |        |
| B                |           | SHEET SIZE    | A4     |
| A                |           | SCALE         | 1:3    |
| 0                | 8/10/2020 | DW            |        |
| REV              | DATE      | DRAWN CHECKED | REMARK |
|                  |           |               |        |



**HPAG 15**

|  |                   |
|--|-------------------|
| DESCRIPTION  |                   |
| HPAG 1.5" BORE X 14"(356MM) X 1.00" ROD - DUAL PORTS |                   |
| PART NO.   | DWG NO.           |
| HPAG15140D100A                                       | HPAG15140D100ADIM |

