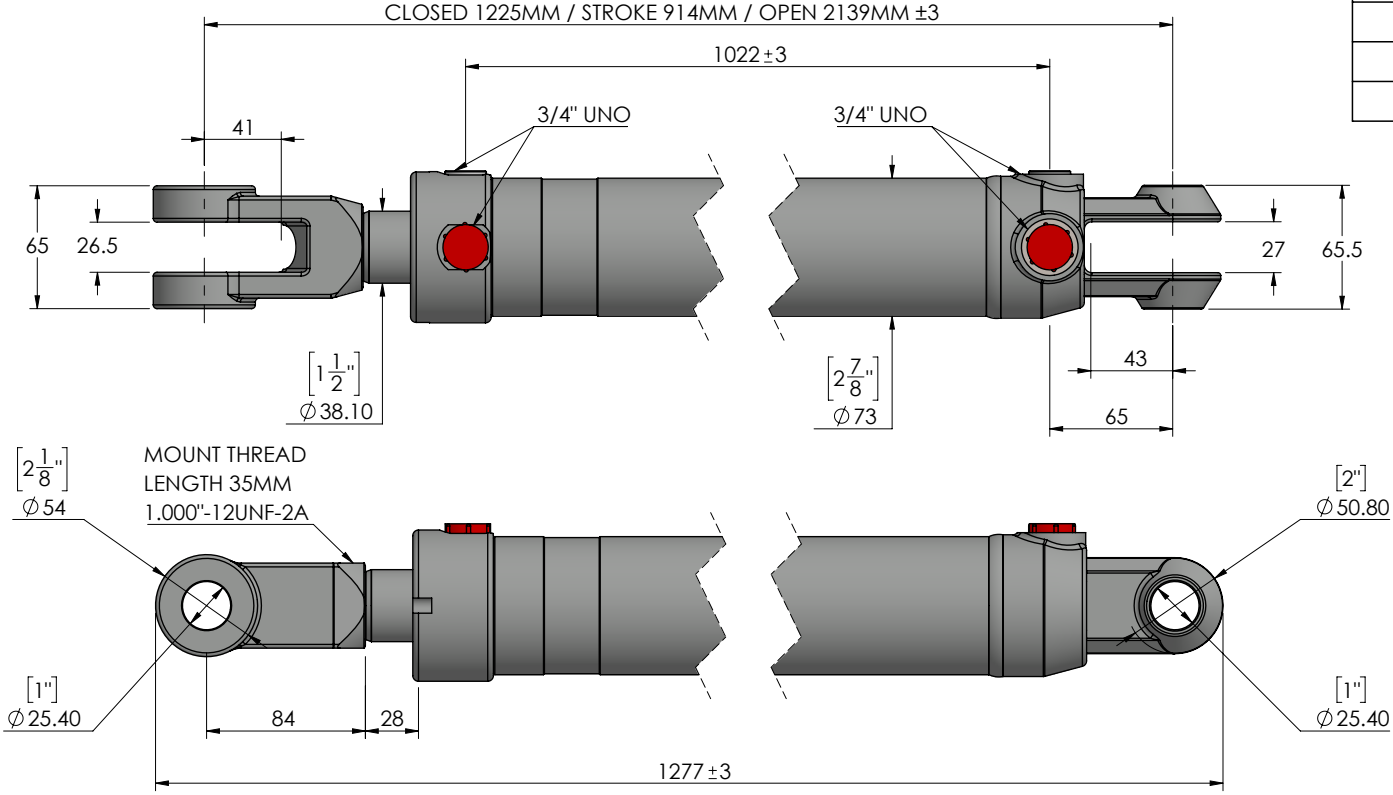


THIS DOCUMENT CONTAINS PROPRIETARY INFORMATION AND IS SUBMITTED IN CONFIDENCE. THIS DOCUMENT IS SUBJECT TO RETURN UPON REQUEST. THE INFORMATION CONTAINED HEREIN IS NOT BE USED IN ANY WAY DERIVATIONAL TO THE INTERESTS OF HYPower.

NOTE: PIN HOLE CLEARANCE MACHINED TO SUIT ANSI B4.2 D9/h9
 PORT THREADS MACHINED TO ISO11926-1 OTHER THREADS MACHINED TO CLASS 2A/B
 GENERAL DIMENSIONS SUIT ISO2768-mK UNLESS OTHERWISE STATED
 GENERAL SURFACE MACHINING TO ISO1302
 FORCE CALCULATIONS ARE THEORETICAL MAXIMUM. ALLOW UP TO 20% FOR LOSSES

OPERATING CONDITIONS	
MAX PRESSURE	210 BAR
PUSH FORCE @ 210 BAR	6779kgf
PULL FORCE @ 210 BAR	4256kgf
FLUID	HYDRAULIC OIL VG46

CYLINDER FACTOR OF SAFETY AT 210 BAR		
STRESS AREA	SAFETY FACTOR	COMMENT
PISTON PULL OFF	2.6	
ROD MOUNT PULL OFF	2.7	
ROD BUCKLE	WARNING	AT MAX EXTENSION
BASE MOUNT	1.7	
ROD MOUNT	2.7	
BARREL	3.7	HOOP STRESS
PINS	2.8	



CYLINDER SPECIFICATIONS			
CLOSED	1225MM	PORTS	3/4" UNO
STROKE	914MM	BARREL	2.5"ID TUBE 3/16" WALL
OPEN	2139MM	HEAD CLEVIS	790107B
STAND OUT	28MM	ROD CLEVIS	FC0000401002
ROD	1.50" - K1045	WEIGHT	22.6Kg
BORE	2.5"	PAINTING	REFER TO QUOTE

CLIENT SIGNATURE			
APPROVAL DATE			
B		SHEET SIZE	A4
A		SCALE	1:4
0	7/10/2020	DW	
REV	DATE	DRAWN CHECKED	REMARK



HPAG 25	
DESCRIPTION	
HPAG 2.5" BORE X 36"(914MM) X 1.50" ROD-DUAL PORT	
PART NO.	DWG NO.
HPAG25360D150B	HPAG25360D150BDIM

