

THIS DOCUMENT CONTAINS PROPRIETARY INFORMATION AND IS SUBMITTED IN CONFIDENCE. THIS DOCUMENT IS SUBJECT TO RETURN UPON REQUEST. THE INFORMATION CONTAINED HEREIN IS NOT BE USED IN ANY WAY DERIMENTAL TO THE INTERESTS OF HYPOPOWER.

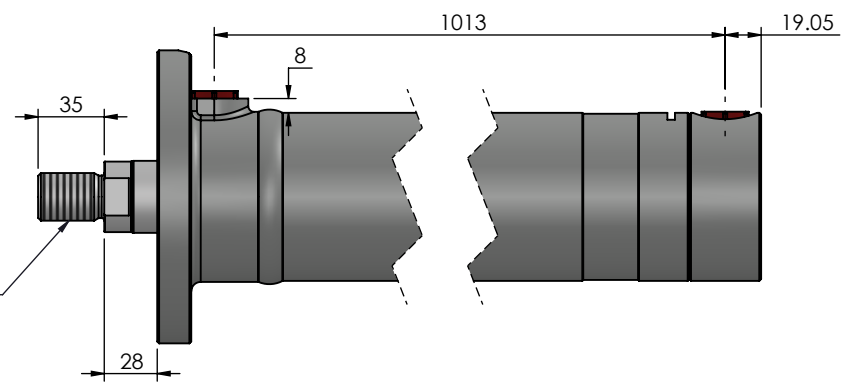
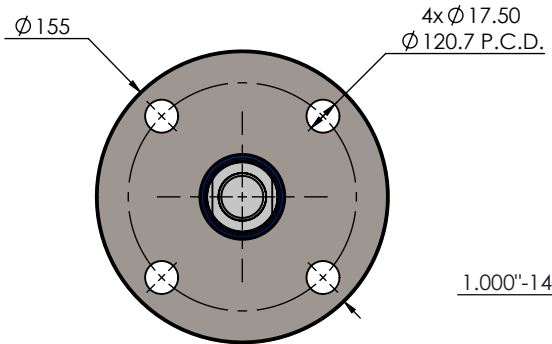
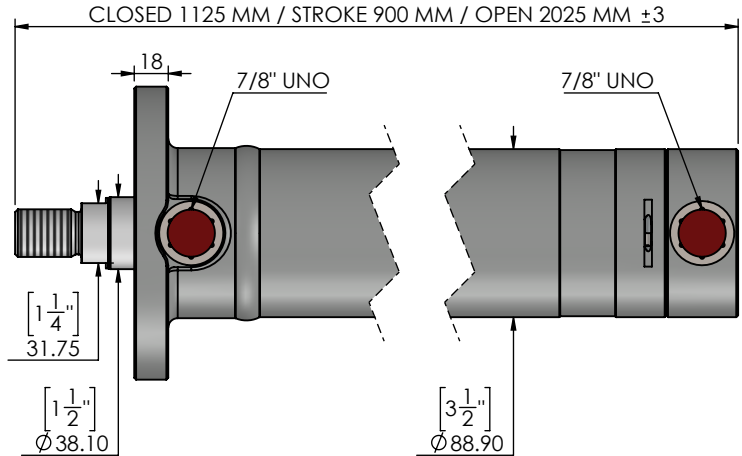
NOTE: PIN HOLE CLEARANCE MACHINED TO SUIT ANSI B4.2 D9/h9  
 PORT THREADS MACHINED TO ISO11926-1 OTHER THREADS MACHINED TO CLASS 2A/B  
 GENERAL DIMENSIONS SUIT ISO2768-mK UNLESS OTHERWISE STATED  
 GENERAL SURFACE MACHINING TO ISO1302  
 FORCE CALCULATIONS ARE THEORETICAL MAXIMUM. ALLOW UP TO 20% FOR LOSSES  
 ROD MOUNTING CONDITIONS AFFECT ROD BUCKLING SAFETY FACTOR

**OPERATING CONDITIONS**

MAX PRESSURE	210 BAR
PUSH FORCE @ 210 BAR	9762 Kg
PULL FORCE @ 210 BAR	7322 Kg
FLUID	HYDRAULIC OIL VG46

**CYLINDER FACTOR OF SAFETY AT 210 BAR**

STRESS AREA	SAFETY FACTOR	COMMENT
PISTON PULL OFF	1.5	
ROD MOUNT PULL OFF	1.4	
ROD BUCKLE	<1.0	AT MAX EXTENSION
BASE MOUNT	2.7	
ROD MOUNT	2.0	
BARREL	4.1	HOOP STRESS



**CYLINDER SPECIFICATIONS**

PARAMETER	VALUE	PARAMETER	VALUE
CLOSED	1125 MM	PORTS	7/8" UNO
STROKE	900 MM	BARREL	3.0" TUBE 0.25" WALL
OPEN	2025 MM	HEAD CAP	R10106
STAND OUT	28 MM	ROD CAP	R10112
ROD	1.50" - K1045	WEIGHT	17.8 KG
BORE	3.00"	PAINTING	REFER TO QUOTE

CLIENT SIGNATURE			
APPROVAL DATE			
B		SHEET SIZE	A4
A	9/04/2024 CM	SCALE	1:4
	9/04/2024 SB		
0		INITIAL ISSUE	SHEET OF 1/1
REV	DATE	DRAWN CHECKED	REMARK



**CFH 30**

DESCRIPTION	
CFH 3.0" BORE X 900MM STROKE X 1.50" ROD-7/8" UNO	
PART NO.	DWG NO.
CFH300900A8150	CFH300900A8150DIM